

Nomad SERVICE BULLETIN

PLACARDS ON REAR BAGGAGE DOOR

1. PLANNING INFORMATION

A. Effectivity

(1) Aircraft Affected:

All Nomad aircraft in service which have had rear baggage door Option G206 fitted and which do not comply with the instructions in this Bulletin.

(2) Spares Affected

None.

B. Reason

DOT Requirement to have baggage door adequately placarded with loading requirements.

C. Description

(1) Loading requirements are plainly shown with door open.

(2) With door shut, locking position of handle is clearly shown.

D. Compliance

To be carried out at the earliest opportunity by the next 100 hourly period inspection.

E. Approval

The rework described herein has been approved by the DOT Designated Engineering Representative at Government Aircraft Factories.

F. Manpower

Approximately 2 hours with a crew of 1 man is required to accomplish this requirement.

G. Material – Price and Availability

Not applicable.

H. Tooling Price and Availability

Not applicable.

I. Weight and Balance

Not effected.

Page No	1	2	3	4
Rev No	0	0	0	0

Nomad

SERVICE BULLETIN

J. References

Nil.

K. Publications Affected

Nil.

2. ACCOMPLISHMENT INSTRUCTIONS

Paint or stencil placards on inside and outside of rear baggage door as detailed in Fig 1 and 2 of this bulletin.

NOTE

- (1) Painting on polyurethane finish necessitates the surface to be painted to be roughened with 280 grit paper first.
- (2) Alternatively block stencilling may be made using solvent base marking pens (e.g. Maruzen Wonder Marker) repeat application as required.

3. MATERIAL INFORMATION

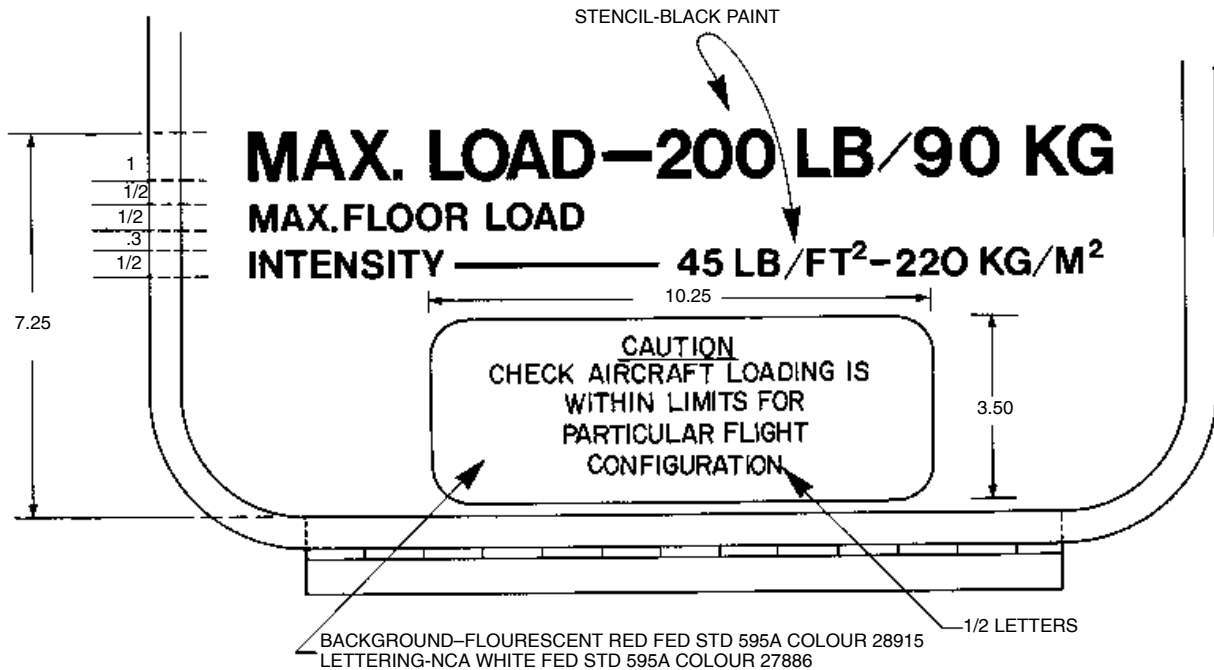
Paint	Fluorescent	Red	Fed STD 595A colour 28915
	NCA	White	Fed STD 595A colour 27886
	NCA	Black	Fed STD 595A

4. RECORDING ACTION

Record compliance with this Service Bulletin in the Airframe Log Book.

Nomad

SERVICE BULLETIN



ALL DIMENSION IN INCHES
 UNLESS OTHERWISE STATED

Figure 1 View on Inside of Rear Baggage Door (DOOR OPEN)

Nomad SERVICE BULLETIN

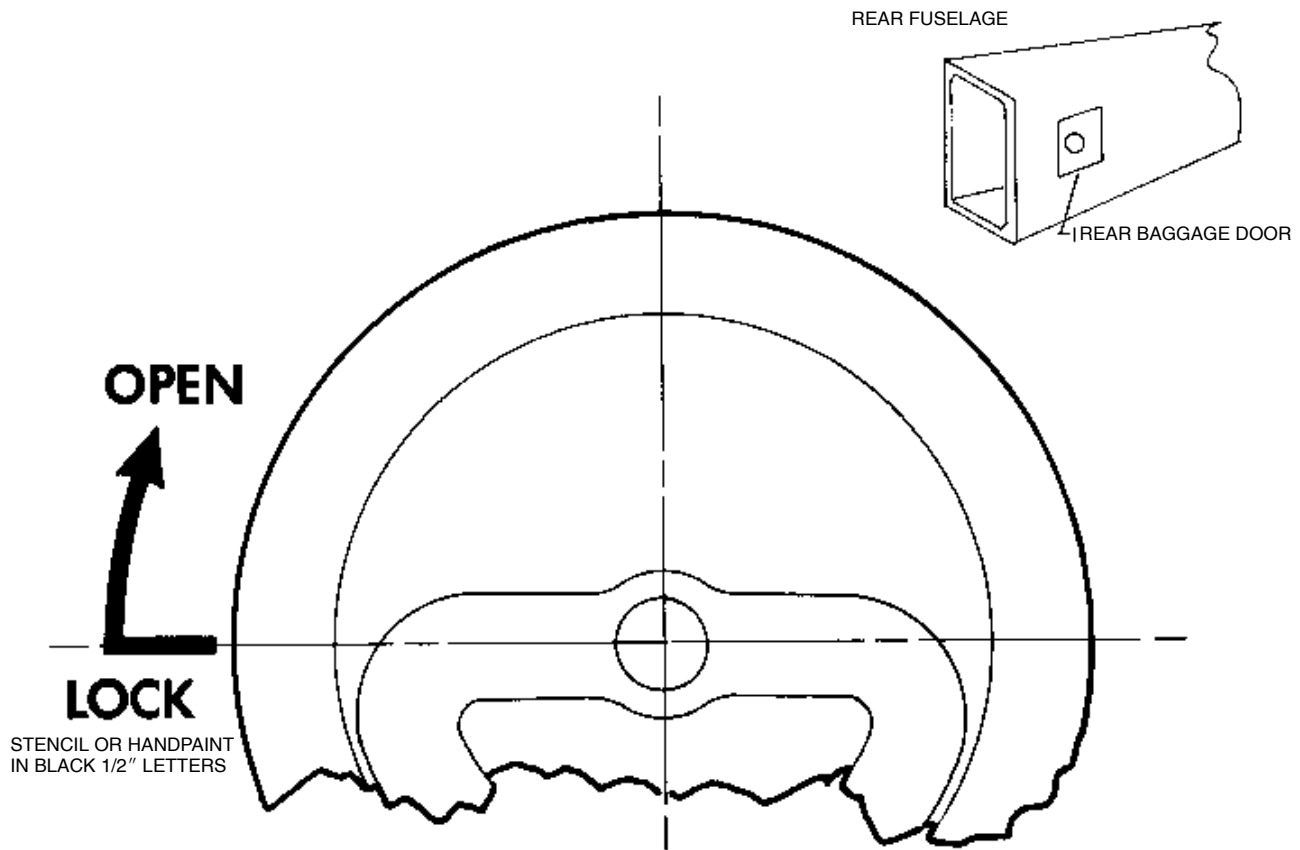


Figure 2